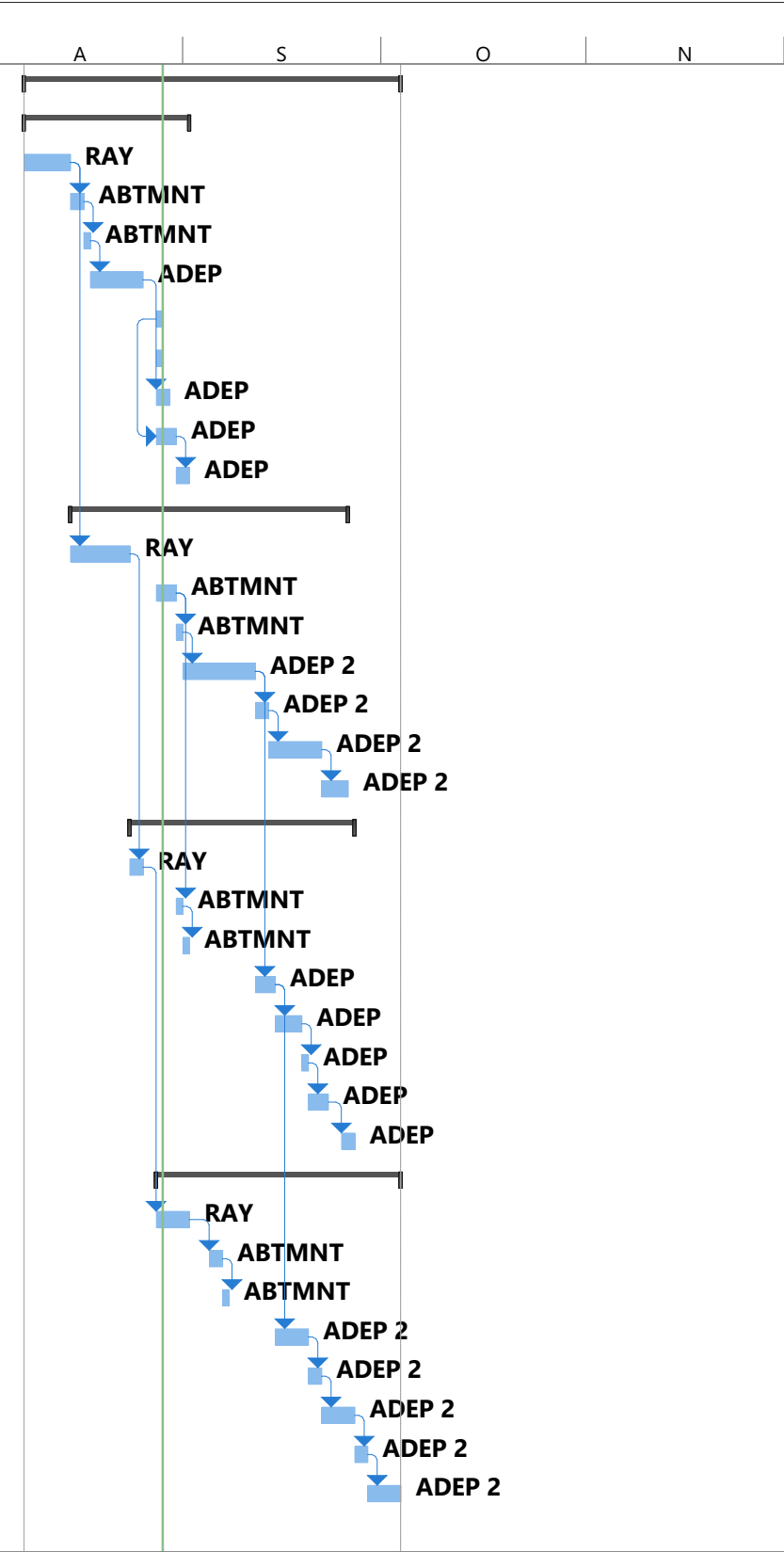


ID	WBS	Task Mode	Task Name	Duration	Start	Finish	Half 2, 2023				
							J	A	S	O	N
1	1		<b>Demo</b>	<b>40 days</b>	<b>Tue 8/8/23</b>	<b>Tue 10/3/23</b>					
2	1.1		<b>Demo buildings 4/5</b>	<b>19 days</b>	<b>Tue 8/8/23</b>	<b>Fri 9/1/23</b>					
3	1.1.1		Demo structure buildings 4/5	5 days	Tue 8/8/23	Mon 8/14/23					
4	1.1.2		Clean foundations 4/5	2 days	Tue 8/15/23	Wed 8/16/23					
5	1.1.3		Inspect foundations 4/5	1 day	Thu 8/17/23	Thu 8/17/23					
6	1.1.4		Remove slabs/foundations of buildings 4/5	6 days	Fri 8/18/23	Fri 8/25/23					
7	1.1.5		Depth of Foundation Test Pits	1 day	Mon 8/28/23	Mon 8/28/23					
8	1.1.6		Removal of Additional Foundation Sections	1 day	Mon 8/28/23	Mon 8/28/23					
9	1.1.7		Haul out material	2 days	Mon 8/28/23	Tue 8/29/23					
10	1.1.8		NT abatement of foundation 4/5	3 days	Mon 8/28/23	Wed 8/30/23					
11	1.1.9		Haul NT Foundation	2 days	Thu 8/31/23	Fri 9/1/23					
12	1.2		<b>Demo buildings 1/2/3</b>	<b>29 days</b>	<b>Tue 8/15/23</b>	<b>Mon 9/25/23</b>					
13	1.2.1		Demo structure buildings 1/2/3	7 days	Tue 8/15/23	Wed 8/23/23					
14	1.2.2		Clean foundations of buildings 1/2/3	3 days	Mon 8/28/23	Wed 8/30/23					
15	1.2.3		Inspect foundations of buildings 1/2/3	1 day	Thu 8/31/23	Thu 8/31/23					
16	1.2.4		Remove foundations/slabs of buildings 1/2/3	6 days	Fri 9/1/23	Mon 9/11/23					
17	1.2.5		Haul Clean Foundation	2 days	Tue 9/12/23	Wed 9/13/23					
18	1.2.6		NT abatement of foundations 1/2/3	6 days	Thu 9/14/23	Thu 9/21/23					
19	1.2.7		Haul NT foundation	2 days	Fri 9/22/23	Mon 9/25/23					
20	1.3		<b>Demo building 6</b>	<b>23 days</b>	<b>Thu 8/24/23</b>	<b>Tue 9/26/23</b>					
21	1.3.1		Demo structure building 6	2 days	Thu 8/24/23	Fri 8/25/23					
22	1.3.2		Clean foundation of building 6	1 day	Thu 8/31/23	Thu 8/31/23					
23	1.3.3		Inspect foundation of building 6	1 day	Fri 9/1/23	Fri 9/1/23					
24	1.3.4		Remove foundation/slab of building 6	3 days	Tue 9/12/23	Thu 9/14/23					
25	1.3.5		Haul out Clean Foundation	2 days	Fri 9/15/23	Mon 9/18/23					
26	1.3.6		Demo/remove retaining walls of building 6	1 day	Tue 9/19/23	Tue 9/19/23					
27	1.3.7		NT abatement of foundation 6	3 days	Wed 9/20/23	Fri 9/22/23					
28	1.3.8		Haul NT foundation	2 days	Mon 9/25/23	Tue 9/26/23					
29	1.4		<b>Demo of building 7</b>	<b>26 days</b>	<b>Mon 8/28/23</b>	<b>Tue 10/3/23</b>					
30	1.4.1		Demo structure building 7	5 days	Mon 8/28/23	Fri 9/1/23					
31	1.4.2		Clean foundation of building 7	2 days	Tue 9/5/23	Wed 9/6/23					
32	1.4.3		Inspect foundation of building 7	1 day	Thu 9/7/23	Thu 9/7/23					
33	1.4.4		Remove foundation/slab of building 7	3 days	Fri 9/15/23	Tue 9/19/23					
34	1.4.5		Haul out Clean foundation	2 days	Wed 9/20/23	Thu 9/21/23					
35	1.4.6		NT abatement of foundation 7	3 days	Fri 9/22/23	Tue 9/26/23					
36	1.4.7		Haul NT foundation	2 days	Wed 9/27/23	Thu 9/28/23					
37	1.4.8		Demobilize/Clean site	3 days	Fri 9/29/23	Tue 10/3/23					
38											



Project: Demo New Projection  
Date: Tue 8/29/23

Task		Project Summary		Manual Task		Start-only		Deadline	
Split		Inactive Task		Duration-only		Finish-only		Progress	
Milestone		Inactive Milestone		Manual Summary Rollup		External Tasks		Manual Progress	
Summary		Inactive Summary		Manual Summary		External Milestone			

ID	WBS	Task Mode	Task Name	Duration	Start	Finish	Half 2, 2023				
							J	A	S	O	N
39	2		Temp power install	3 days	Wed 8/30/23	Fri 9/1/23					
40	3		Foster Street last day	0 days	Fri 9/15/23	Fri 9/15/23			◆ 9/15		

Project: Demo New Projection Date: Tue 8/29/23	Task		Project Summary		Manual Task		Start-only		Deadline	
	Split		Inactive Task		Duration-only		Finish-only		Progress	
	Milestone	◆	Inactive Milestone	◆	Manual Summary Rollup		External Tasks		Manual Progress	
	Summary		Inactive Summary		Manual Summary		External Milestone	◆		